

As an option the ASW 20 can be equipped with a front towing hook for aero tow, which is installed below the instrument panel in the forward fuselage (Technical Note no. 16 for ASW 20). This towing hook provides more directional stability by cable tension in tow and is only suitable for aero tow. Regarding trim lever position and flying qualities in aero tow the notes of the previous pages are still valid.

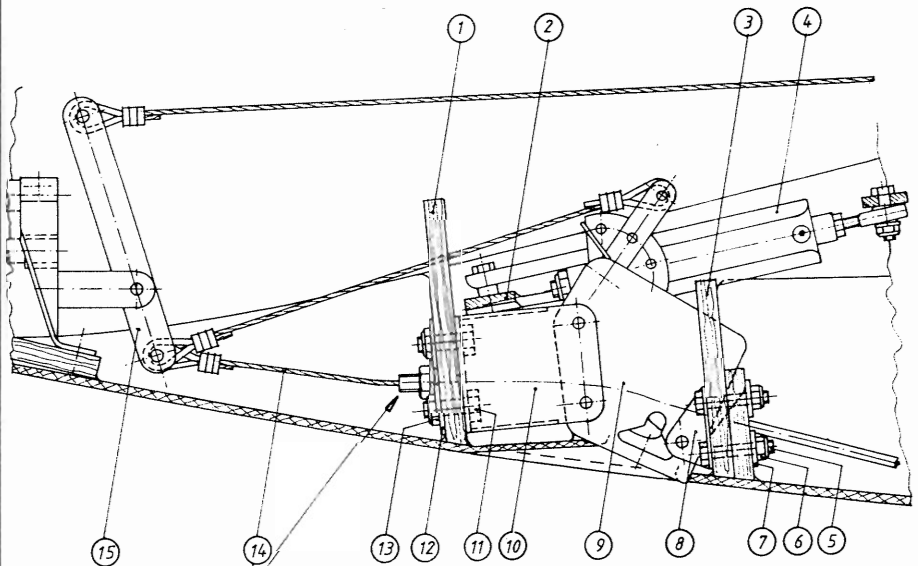
Contrary to the tow from the C.G. towing hook the landing gear can be retracted during a tow from the front towing hook.

ASW 20 - Operations Manual -

Front towing hook for aerotow

According to Technical Note no.16 for the ASW 20, the glider can also be equipped with a front towing hook for aerotows, which is installed in the forward fuselage below the instrument panel.

For this installation only the TOST nose towing hook E 75 (part no. 60-230/1, DFS model) must be used. The manufacturer's relevant Maintenance Instructions for this towing hook are applicable.



Adjust the bowden cable for the C.G. towing hook in such a way that both towing hooks open completely at the same time when actuated !