

Check of stick attachment in the rear cockpit.

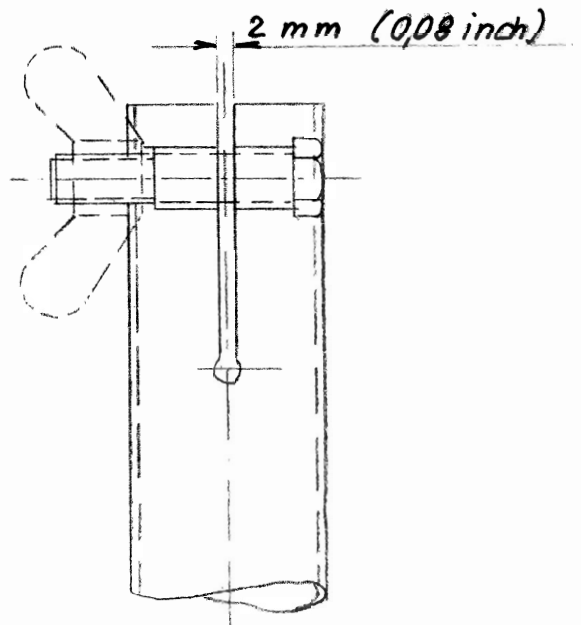
LTA Nr. 2/63

Probable by deformation on the tube nozzles there has been found a loose stick although the wing nut was fastened.

Urgency:

Description of modification:

- 1) Check if the both tube nozzles are not bended by the screw so that it is possible to pull out the stick even when the wing nut is fastened.
- 2) Check the gap for the wide of 2 mm (0,08 inch). If neccessary make it wider by a file. (See scetch). With fastened wing nut, the stick must be reliabely fixed.



Approval of translation has been done by best knowledge and judgement. - In any case the original text in German language is authoritative.

Drawings to be corrected

Remarks

PFL-Check

ausgef. 16.4.63. Kaiser



*Reinhold*

2 5. April 1963