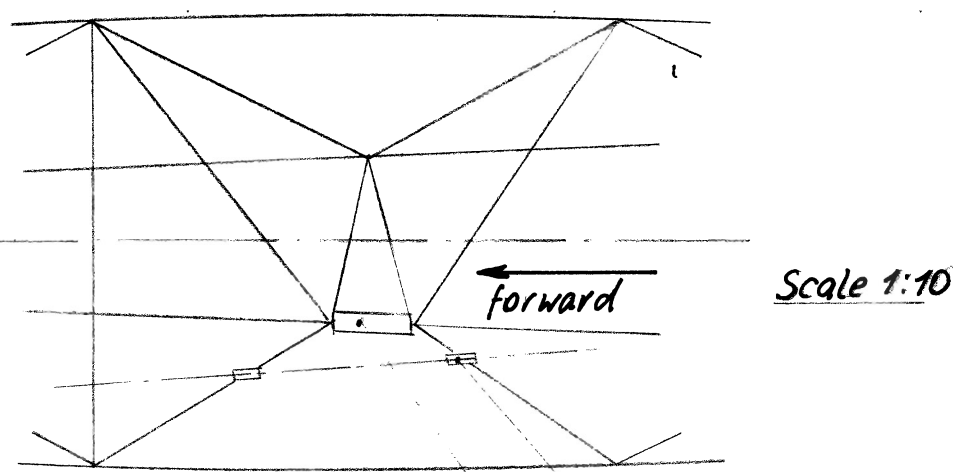


Reason: Installation of an additional fair lead in the brake cable to prevent slinging the cable around the hook lever.

Description of modification: All aircraft are to be fitted with an additional fair lead. For the new ones these are made as common. The allready delivered aircraft are to be modified after the following drawing.

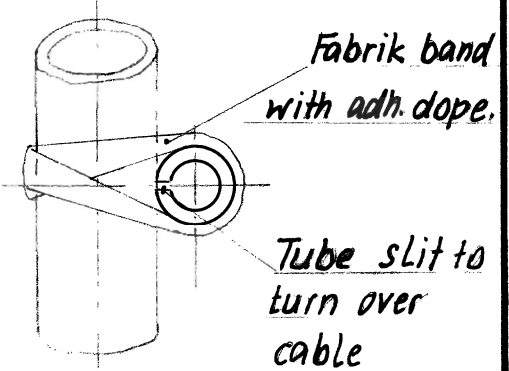
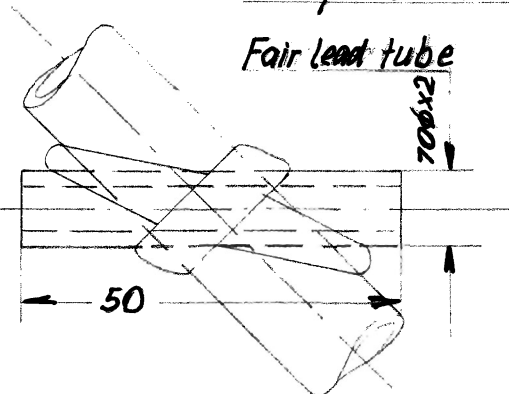
LTANr 68/53



Additional fair lead for brake cable.

Belly hook.

Kind of make for installation at the completed glider. Scale 1:1



Drawings to be corrected	Remarks
	30.5.68 <i>heinze</i>
	Modification is made * since S.Nb. 13092.
	* by the manufacturer