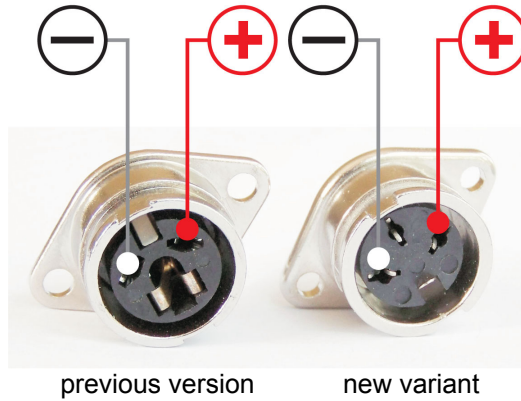


Subject: Use of new charging sockets and plugs

Applicability: All AS-aircraft

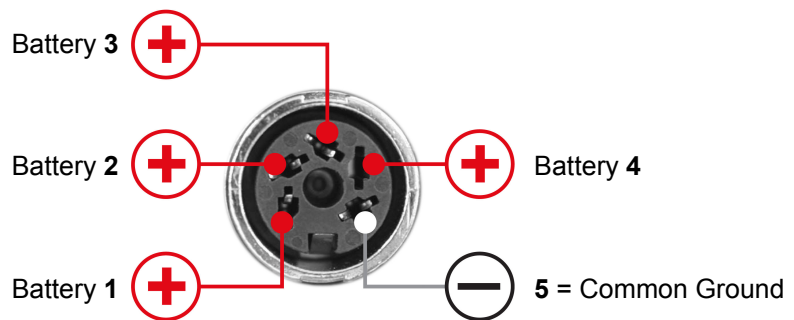
Reason: The previously used charging sockets are no longer being manufactured and was replaced by a different model. The below picture illustrates the pin reference of both sockets in relation to each other.



Note: When replacing the charging socket, the corresponding plug must be also replaced, because on the new variant the position of the pins have been changed.

5 pole charging socket

When several batteries are installed, these can also be charged using a single 5 pole charging socket in the instrument panel. The numbering of the poles is the same as the numbering of the batteries.

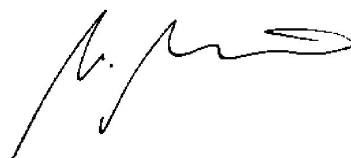


To facilitate battery charging, Alexander Schleicher GmbH and Co. offers adapter cables for connecting a charging device to the charging socket in the panel. The adapter cable connector is labelled to ensure that the charger is connected to the correct poles of the charging socket.



Poppenhausen, 21.09.15

Alexander Schleicher
GmbH & Co.

b.o. 
(M. Münch)